

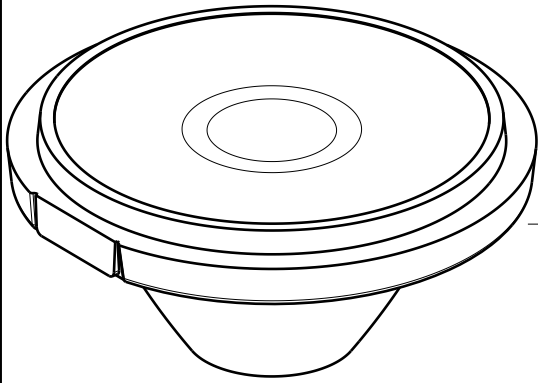
D

C

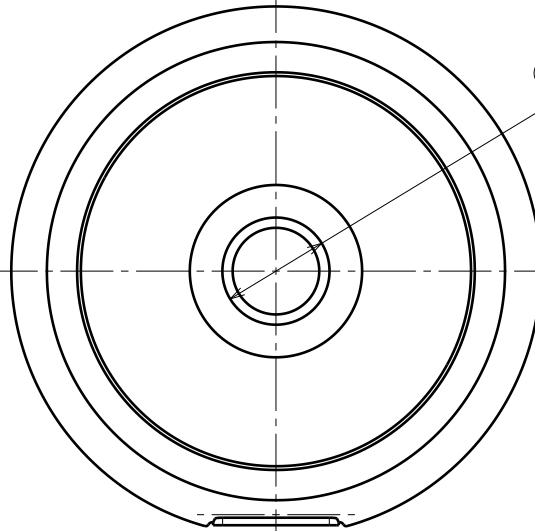
B

A

4



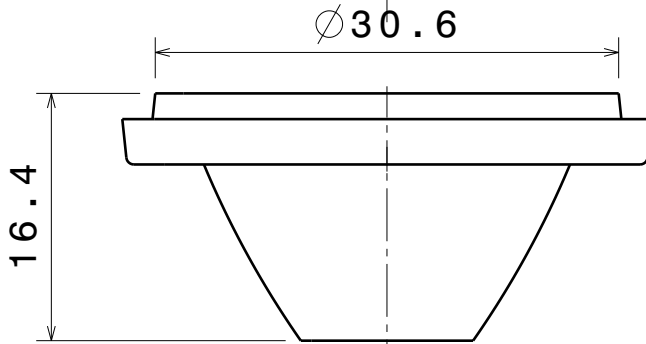
Isometric view



Bottom view

Ø 7.1

3

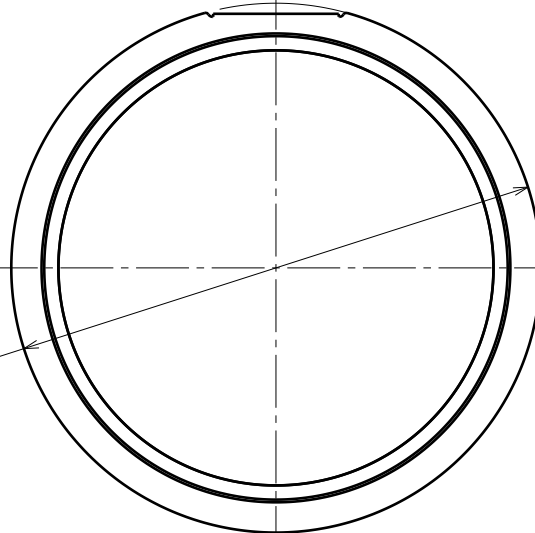


Side view

Ø 30.6

16.4

2



Top view

Ø 35

Colour: clear

Material: PMMA

Part No: C10685

This drawing is our property.  
It can't be reproduced  
or communicated without  
our written agreement.



Ledil Oy  
Joensuunkatu 13  
FIN-24100 SALO  
Finland

DRAWING TITLE

Datasheet Eva Medium Lens

DRAWN BY

PV

DATE

05.09.2008

CHECKED BY

hh

DATE

04.09.2008

SIZE

A4

DRAWING NUMBER

C10685

REV

1.0

DESIGNED BY

HH

DATE

26.08.2008

SCALE

2:1

WEIGHT (g)

SHEET

1/1

D

A

1

1